

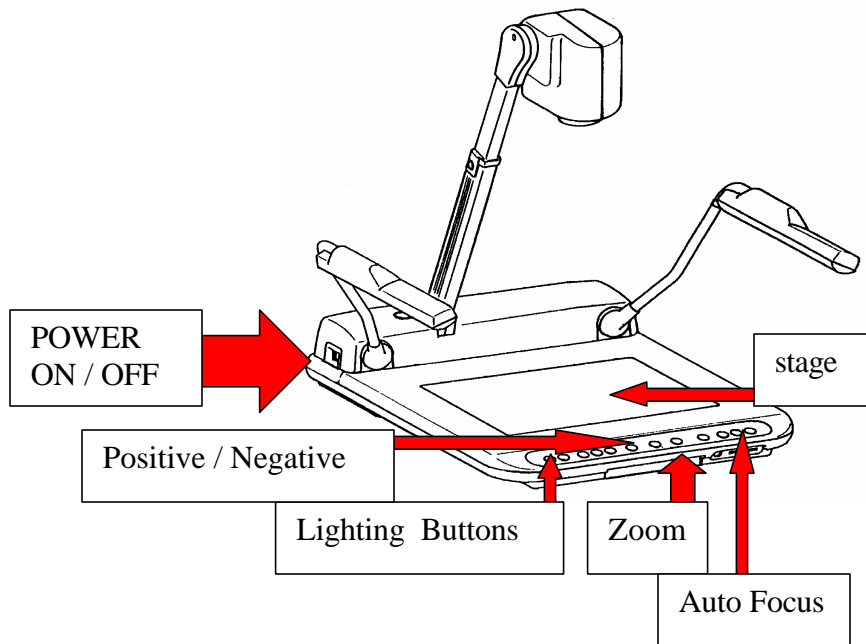
TO OPERATE THE ELMO VISUAL PRESENTER:

Turning ON the projector

- 1) Turn on the computer equipment connected to the projector (PC/Mac)

NOTE: CHECK the POWER SWITCH (located on the middle divider) INSIDE THE RIGHT CABINET OF THE NOVA TEACHER STATION. It should light up RED to indicate that the teacher station is receiving power.

- 2) Turn the Visual Presenter on by pressing the **POWER** button on the left side of the unit.
- 3) Place the book or object on the stage/ platform.
- 4) If needed, press the **ZOOM** button to obtain optimum size.
- 5) To adjust focus, press the **Auto Focus button**



Turning OFF the projector

- 1) Press the **POWER** button on the unit to OFF.
- 2) Turn **OFF** the equipment connected to the projector.
- 3) Done!

To view slides or transparencies:

- 1) *Press the Lighting Button labeled "BASE". The light in the base of the presenter unit will come on.*
- 2) *Press the Negative / Positive Conversion Button to Negative, the indicator will show "N".*
- 3) *Place the slide(s) on the backlit base in view of the camera.*
- 4) *Adjust the zoom for best size.*
- 5) *Adjust the focus using the Auto Focus Button.*

FOR PROBLEMS OR MALFUNCTION PLEASE CALL THE HELP DESK AT 953-3375

Please indicate your location and detailed description of the problem.
Specify that you are in a "SMART CLASSROOM"

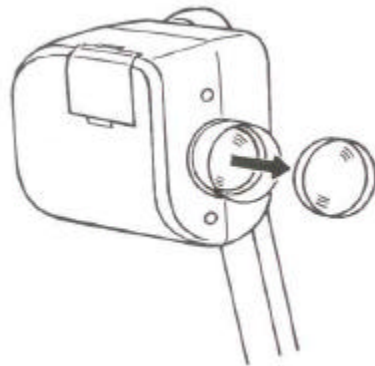
Simple steps for presenting printed materials:

- 1) Turn the power switch to the "ON" position.
- 2) Place the object on the stage. While watching the image on the projection screen, adjust for optimum size using the ZOOM button.
- 3) Press the AUTOFOCUS button to focus the projected image. Autofocus coverage is up to approx. 10 cm above the stage surface.

The camera head can be used as a conventional video camera, and can be aimed at objects, wall maps, posters, etc.

To use as a video camera:

- 1) Remove the close-up lens when shooting at telephoto position.



- 2) Turn the camera head to aim at the object.

- 3) Use AUTOFOCUS or focus manually using the FOCUS buttons.



FOCUS MANUALLY
or
AUTOFOCUS